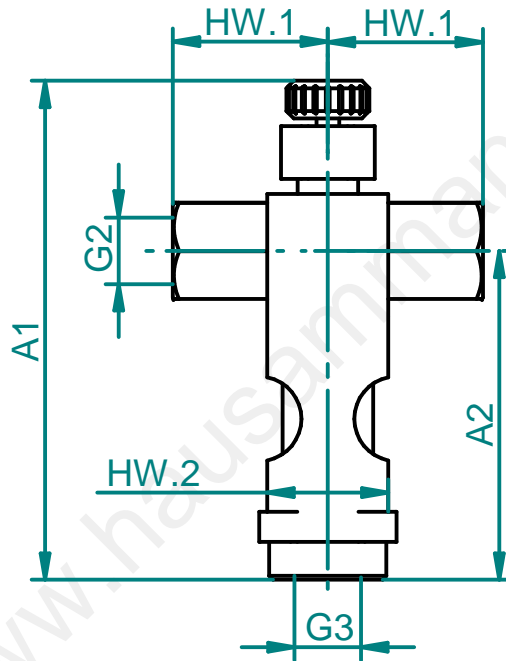


General tolerances ISO 2768-m						Index	Date	Visum	Modification	Index	Date	Visum	Modification
Basic-size	...6	> 6 ...30	> 30 ...120	>120 ...400	> 400 ...1000								
medium	±0.1	±0.2	±0.3	±0.5	±0.8								



Specifications points D,K,H	
D= doc.points	
K= critical	
H= main	

		Material:			
Accord-draw.no.:	Origin-draw.no.:	Replacement for:	Scale		
			Date		Visum
			plotted		Phone
		checked		04.08.11	E.Z
		12.401		Solid Edge	Format
				A4	Index
				00	